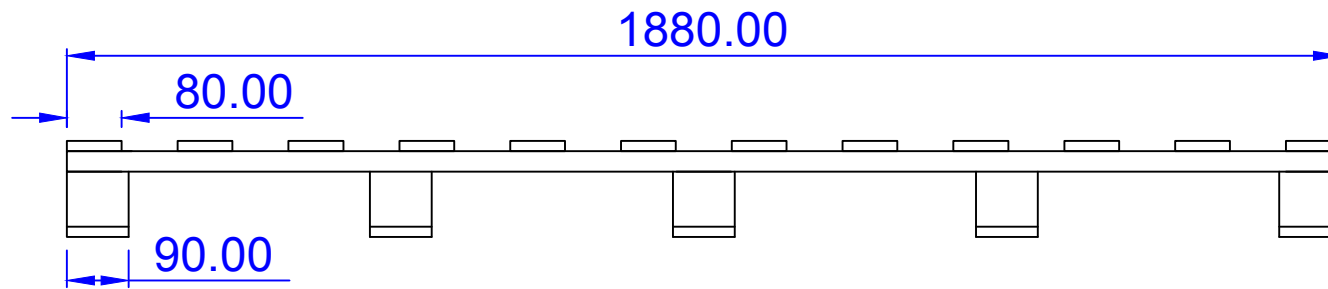
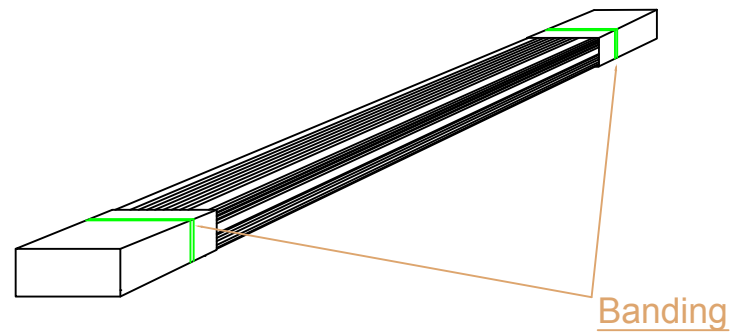
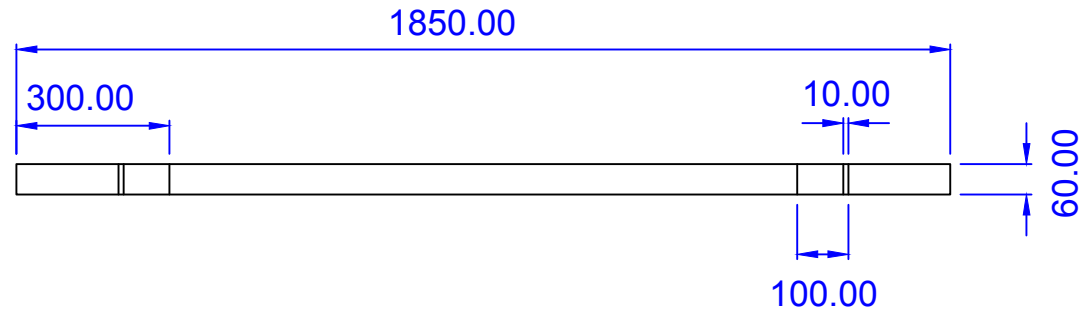


End view

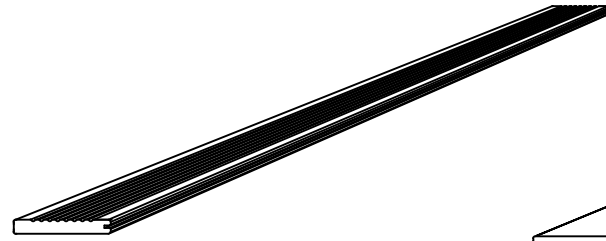


Side view

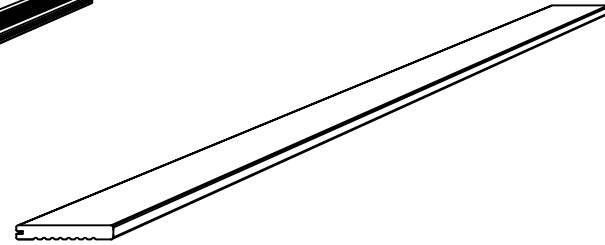
Wood Pallet Type



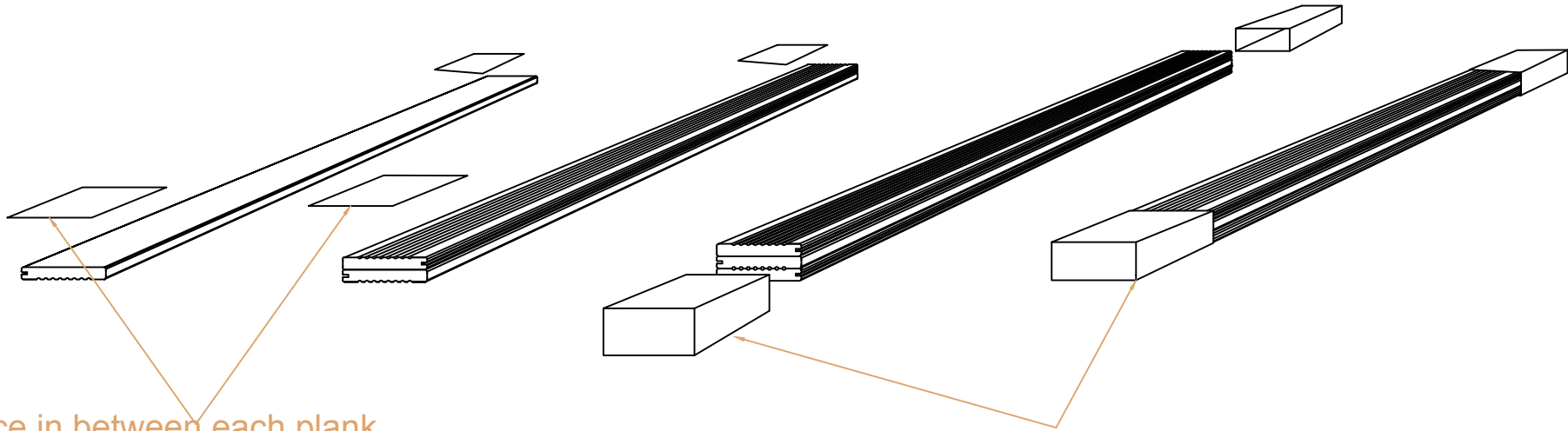
## Bundle Dimension



Front view



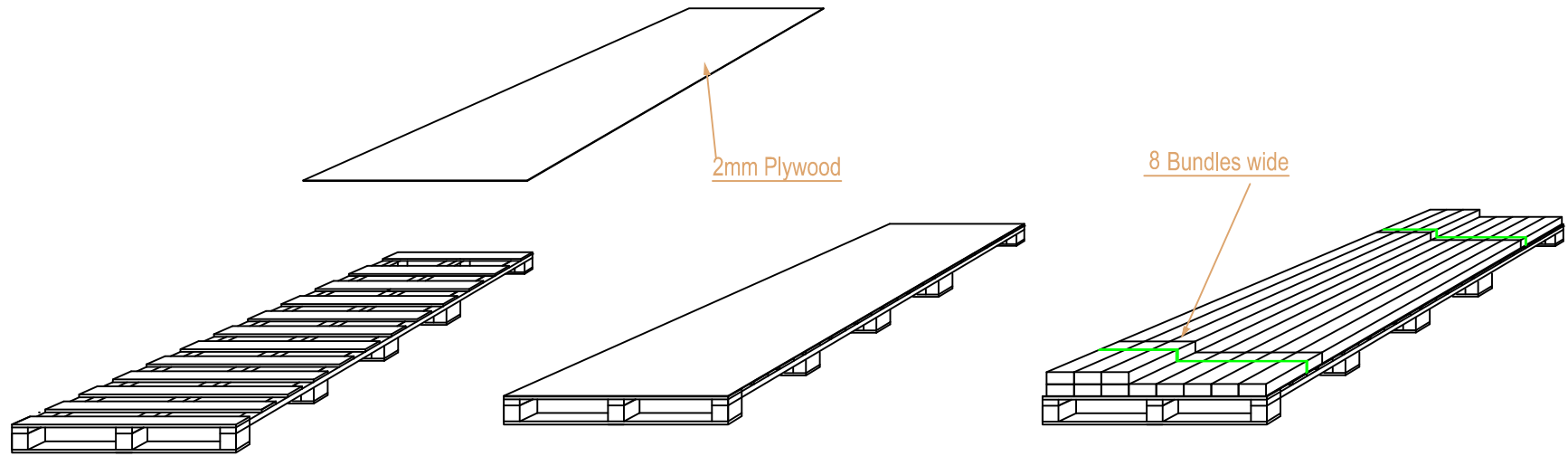
Back view



Place in between each plank

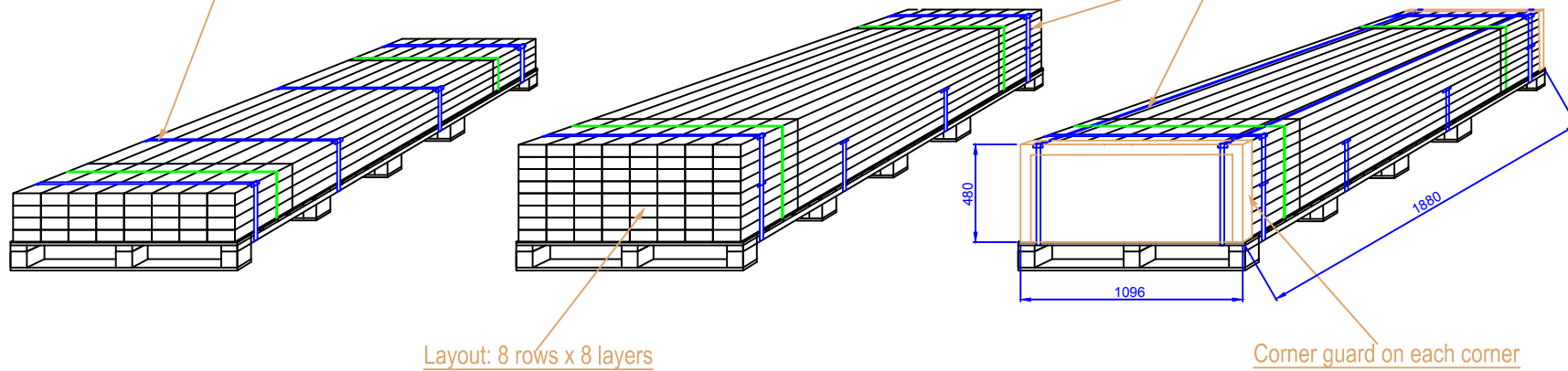
Paper sleeves: place on each end of the bundle

## Decking Bundle Package Layout

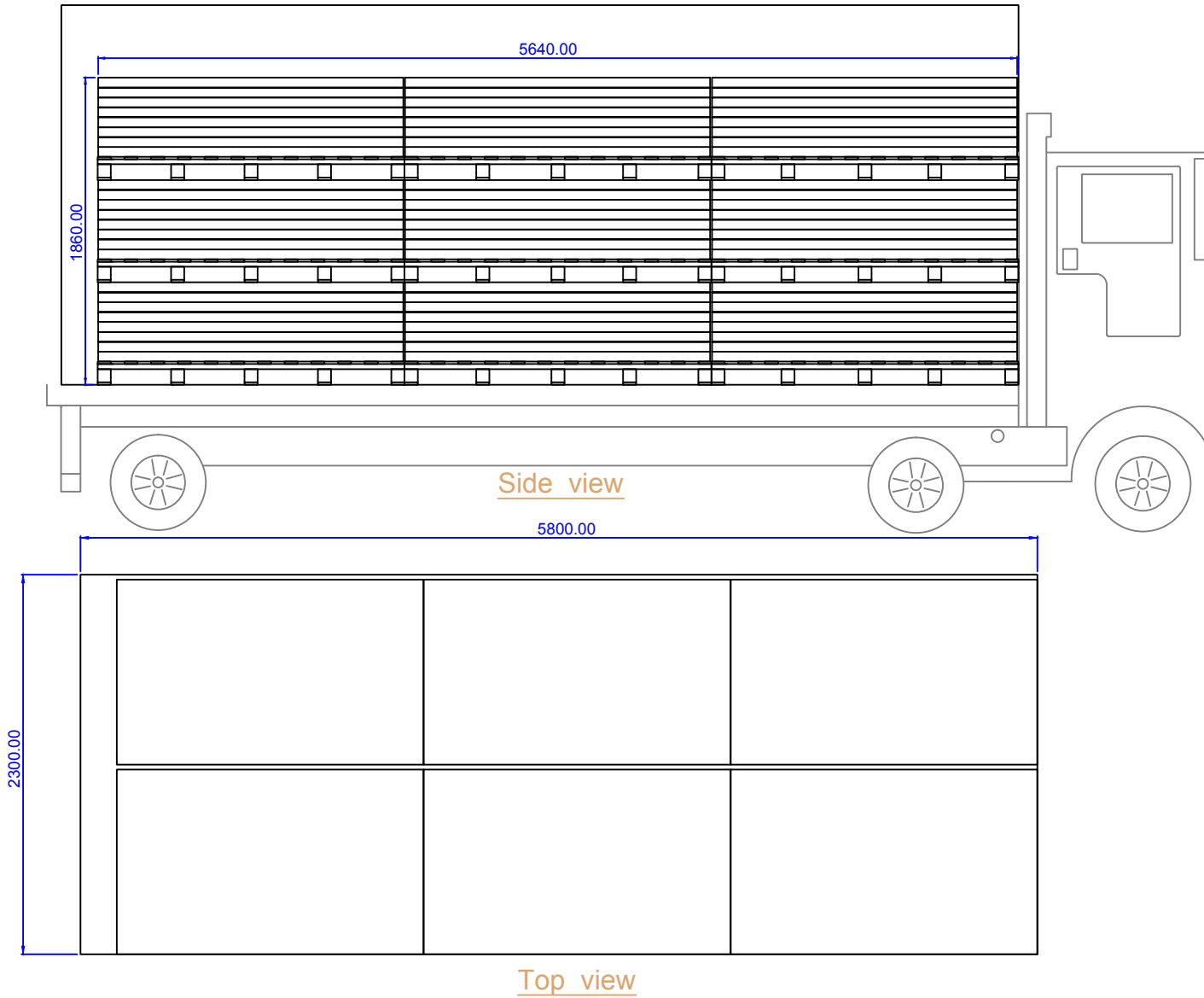


There are 4 band in the middle of the pallet

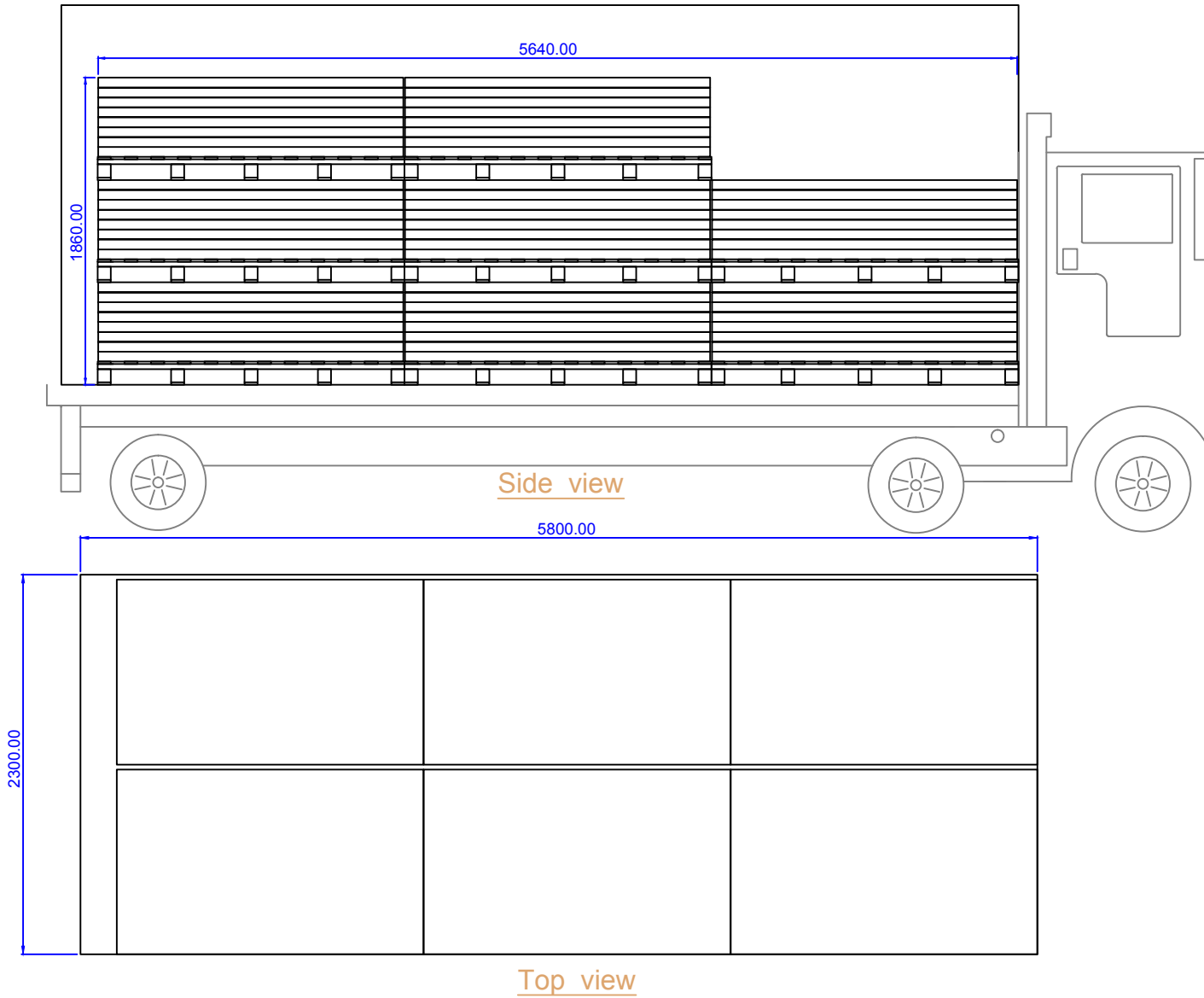
There are 4 belts out of the pallet: before packaging the 4 belts, the wrap film is at least three layers and ensure full of the decking.



# Pallet Layout



20' Container Loading—18 Pallet Max



20' Container Loading—17 Pallet